

Honeywell

WEB-8000 IO Remote Modules

IO-R-16 AND IO-R-34

SPECIFICATION DATA



PRODUCT DEFINITION

IO Remote module is part of Honeywell's portfolio of hardware, software and tools designed for remote monitoring and control applications that enables end-to-end automation and device-to-enterprise integration. IO R allows the WEB-8000 to interface directly with simple non-intelligent inputs and outputs remotely located up to 4,000 feet from the controller. The connection is established via an industry-standard RS 485 multi-drop communications bus. Multiple IO R devices can be utilized on a single controller, providing 250+ IO points on a single controller.

SPECIFICATIONS

WEBs-N4: Requires WEBs-N4.3 or later

WEBs-AX: Requires WEBs-AX 3.8u3 or later

IO-R-16

- 8 Universal inputs: Type 3 (10k) thermistors, 0-100K ohm, 0-10VDC, 0-20 mA with external resistor
- 4 Relay outputs (Form A contacts, 24VAC @ .5 amp rated)
- 4 Analog outputs (0-10VDC)
- Powered from IO-R-34
- Connected to WEB-8000 remotely over a shielded RS485 bus

IO-R-34

- 16 Universal inputs: Type 3 (10k) thermistors, 0-100K ohm, 0-10VDC, 0-20 mA with external resistor
- 10 Relay outputs (Form A contacts, 24VAC @ .5 amp rated)
- 8 Analog outputs (0-10VDC)
- Powered from a 24VAC/DC source
- Can power up to 4 IO-R-16 modules
- Connected to WEB-8000 remotely over a shielded RS485 bus



31-00134EF-01

EXPANDABILITY

MAXIMUM EXPANSION

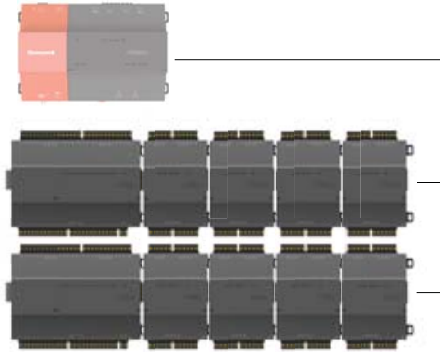
- (8) IO-R-34s
- or
- (16) IO-R-16s

POWER

One IO-R-34 can power four IO-R-16 modules

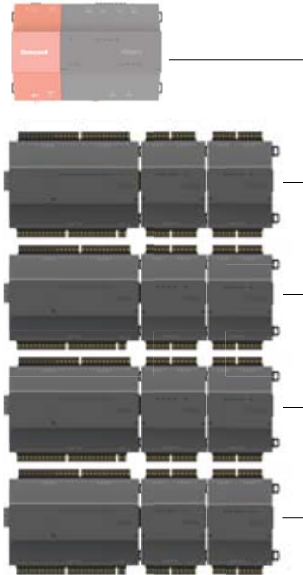
COMMON CONFIGURATIONS

Maximum configuration
for 2 panels

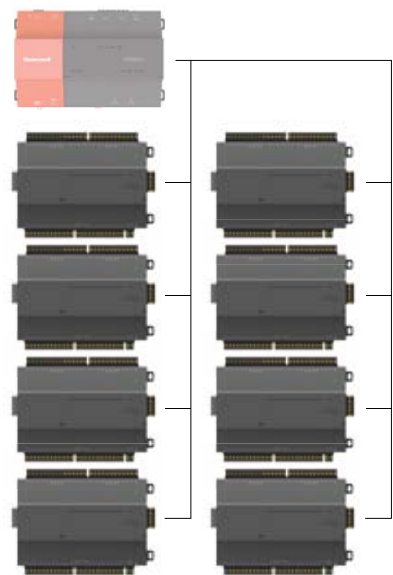


Shown with maximum of 4 IO-R-16s
per IO-R-34

Maximum configuration
for 4 panels



Maximum configuration
for 8 panels



AGENCY CERTIFICATIONS

- UL 916
- C-UL
- CE EN 61326-1:2013
- RCM
- FCC part 15, class b
- RoHS2
- REACH
- WEEE
- China ROHS
- Open Energy Management Class 2

ENVIRONMENTAL SPECIFICATIONS

Operating temperature: -20 to 60 °C

Storage temperature: -40 to 85 °C

Humidity: 5–95% – Non condensing

Shipping & vibration: ASTM D4169, Assurance Level II

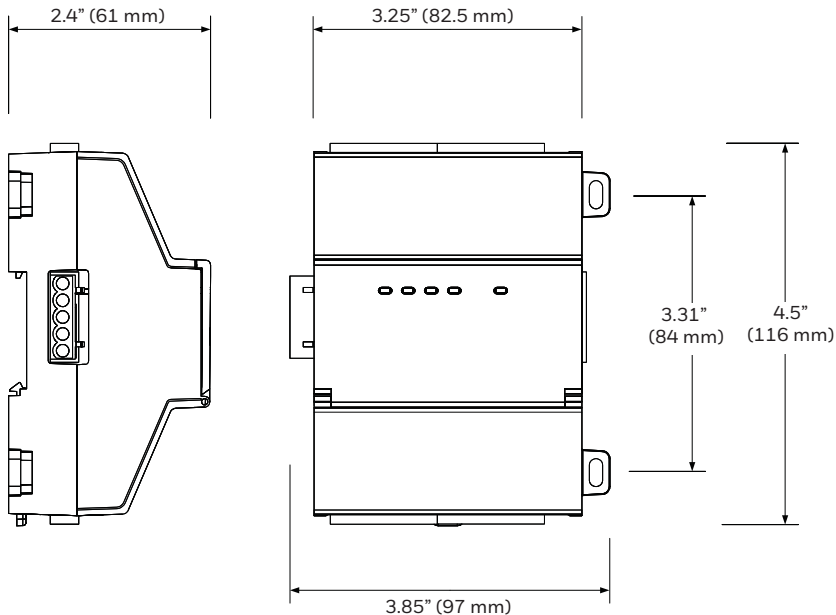
MTTF: 10 years+

MOUNTING & DIMENSIONS

The WEB-8000 IO modules support mounting on EN50022 standard 7.5mm x 35mm DIN rail or panel mounting.

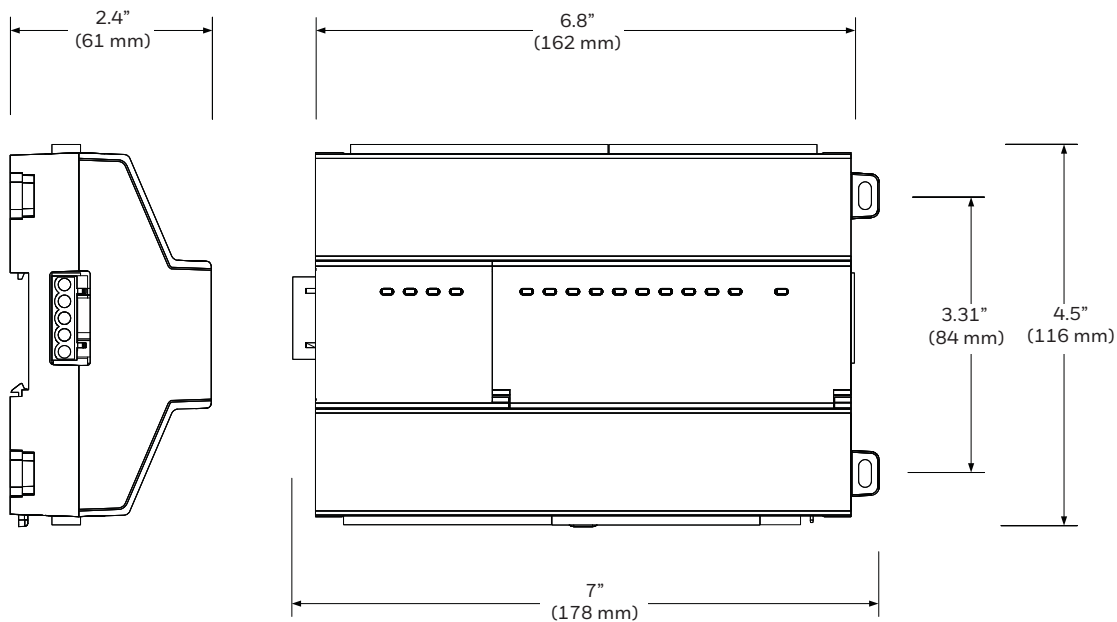
IO-R-16

82.5mm (w) x 116mm (h) x 61mm (d) (3.25 in x 4.5 in x 2.4 in)



IO-R-34

162mm (w) x 116mm (h) x 61mm (d) (6.8 in x 4.5 in x 2.4 in)

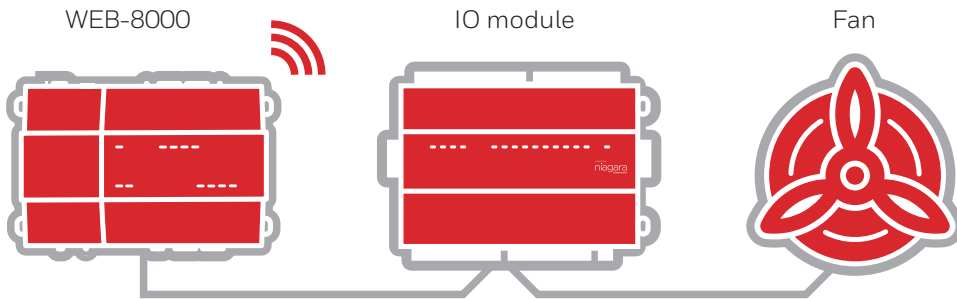




ORDERING INFORMATION

Part number	Description
IO-R-16	16 Point IO Module. Powered by IO-R-34. Connected to WEB-8000 remotely over RS485.
IO-R-34	34 Point IO Module. Powered by 24VAC. Capable of powering 4 IO-R-16 modules. Connected to WEB-8000 remotely over RS485.

NIAGARA FOR REMOTE MONITORING APPLICATIONS



Home and Building Technologies

In the U.S.:
 Honeywell
 715 Peachtree Street NE
 Atlanta, GA 30308
customer.honeywell.com

® U.S. Registered Trademark
 © 2017 Honeywell International Inc.
 31-00134EF-01 M.S. 10-17
 Printed in United States

